

Accessories: Connectors BKS-B 20-4-

Common Data

Version
Usable with
Ambient temperature
Supply voltage display

Connector, angle, 3-pins
on Sensors with connection S4
(DC, PNP-NO, M12)
-25°C...+85°C
yes

Mechanical Data

Material
Protection class per IEC 60529
Cable version
Conductor cross section

PVC / PUR
IP67
molded-on (3xLi12Y)-11Y-0/black
3x0,34

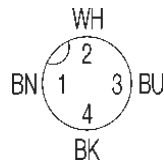
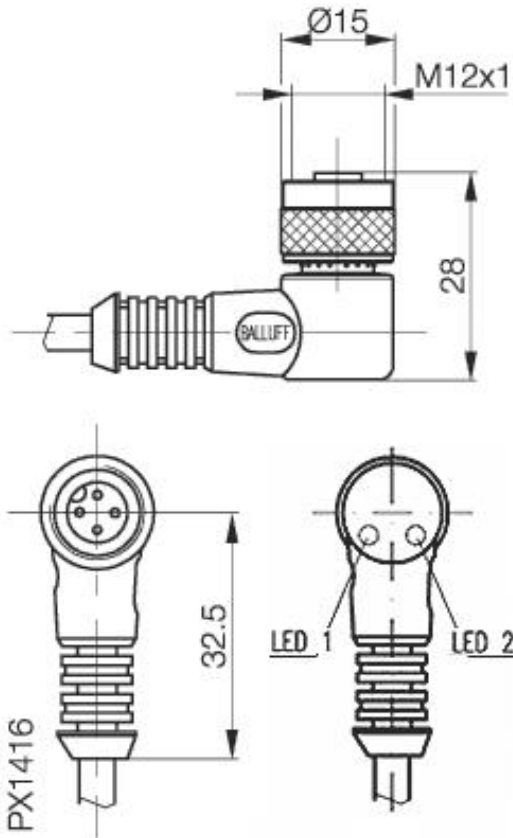
Electrical Data

Supply voltage

125 AC/150DC

Remarks

yes



Datasheet number::

Definitions see general catalog.
If not otherwise noted, ratings according to
IEC 60947-5-2 (DIN EN60947-5-2)

Balluff GmbH
Schurwaldstrasse 9
73765 Neuhausen a.d.F.
Phone (07158) 173-0 Fax (07158) 5010

Datenblatt by CD-ROM - 04/2007

BALLUFF
sensors worldwide